

Series DG

Transfer Door Grille

Product Data Sheet

- Extruded aluminum
- Fixed inverted "V" blades set on .666" centers for sightproof applications
- 70° angle blades mounted and retained in extruded U-Channel frame
- Model DGSF has 1 sided partition frame
- Model DGDF has 2 sided telescoping frames that adjust to fit doors 1 1/16" - 2 1/8" thick
- White finish

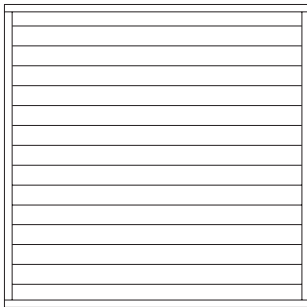
Models:

- DG - U-Channel Frame
- DGDF - Telescoping Frame (Two Sides)
- DGSF - Partition Frame (One Side)

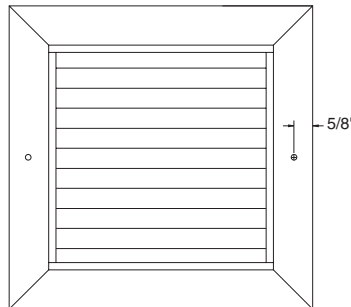


DGSF shown

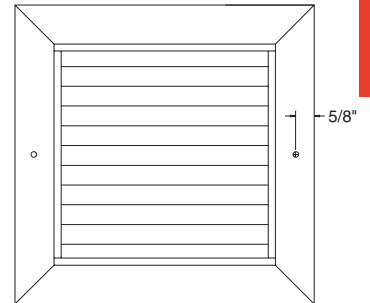
Extruded Aluminum
Grilles and Registers



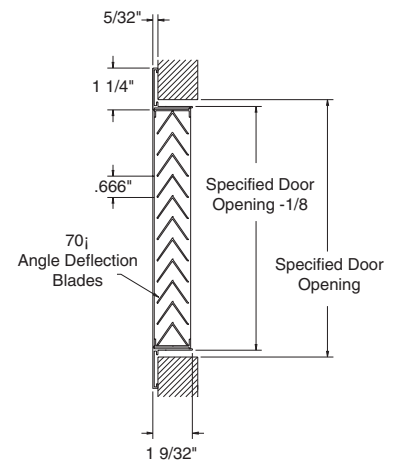
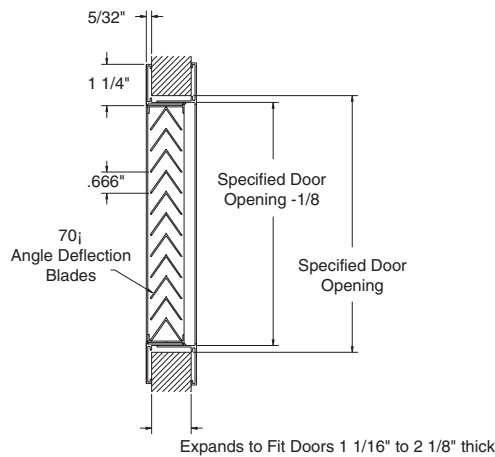
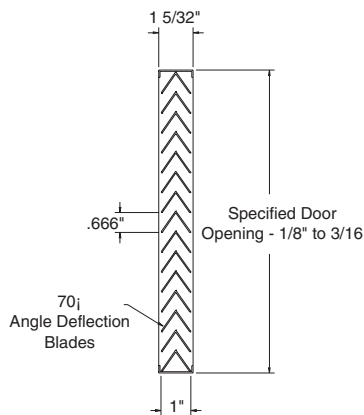
DG



DGDF



DGSF



Neck Velocity

SIZE (in inches)

CFM	6x4	8x4	6x6	8x8	10x8	10x10	12x12	18x12	24x12	20x14	18x18	24x18	20x20	22x22	24x24	26x26	28x28	30x30
50	300	225	200															
100	600	450	400	225	180													
150			600	338	270	216												
200				450	360	288	200											
250				563	450	360	250	167										
300					540	432	300	200	150	154								
350						504	350	233	175	180	156							
400						576	400	267	200	206	178							
450							450	300	225	231	200	150						
500							500	333	250	257	222	167	180					
600							600	400	300	309	267	200	216	179	150			
700								467	350	360	311	233	252	208	175			
800								533	400	411	356	267	288	238	200	170		
900								600	450	463	400	300	324	268	225	192	165	
1000									500	514	444	333	360	298	250	213	184	150
1200									600		533	400	432	357	300	256	220	192
1400												467	504	417	350	296	257	224
1600													576	476	400	341	294	256
1800														536	450	383	331	688
2000														595	500	426	367	320
2500																533	459	400
3000																	551	480
3500																		560

NOTES:

Neck Velocity - The neck velocity is in feet per minute.

Stated performance is for most popular sizes; complete performance for all sizes is available upon request.

DG, DGDF, DGSF													
HEIGHT	WIDTH												
	6"	8"	10"	12"	14"	16"	18"	20"	22"	24"	26"	28"	30"
6"	X	X	X	X	X	X	X	X	X	X	X	X	X
8"	-	X	X	X	X	X	X	X	X	X	X	X	X
10"	-	-	X	X	X	X	X	X	X	X	X	X	X
12"	-	-	-	X	X	X	X	X	X	X	X	X	X
14"	-	-	-	-	X	X	X	X	X	X	X	X	X
16"	-	-	-	-	-	X	X	X	X	X	X	X	X
18"	-	-	-	-	-	-	X	X	X	X	X	X	X
20"	-	-	-	-	-	-	-	X	X	X	X	X	X
22"	-	-	-	-	-	-	-	-	X	X	X	X	X
24"	-	-	-	-	-	-	-	-	-	X	X	X	X
26"	-	-	-	-	-	-	-	-	-	-	X	X	X
28"	-	-	-	-	-	-	-	-	-	-	-	X	X
30"	-	-	-	-	-	-	-	-	-	-	-	-	X

Extruded Aluminum
Grilles and Registers

Ordering Information

All USAIRE transfer door grilles are listed with the horizontal dimension first. For example, a Model DGDF 16 x 8 is a door grille with blades parallel to the 16" dimension.