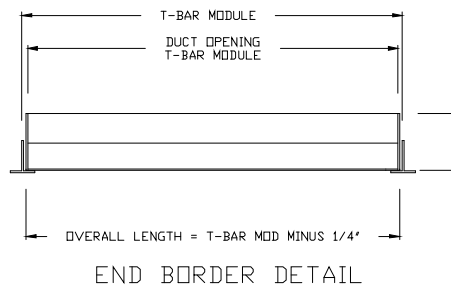
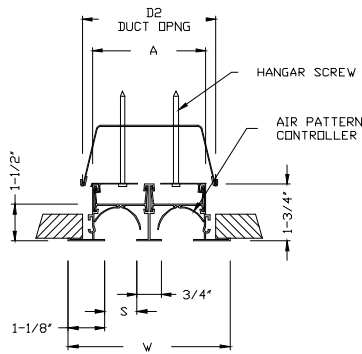


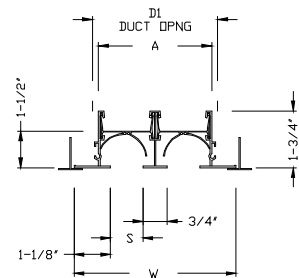
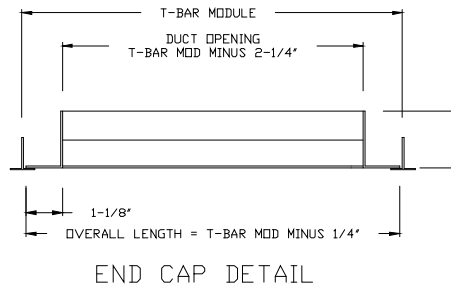
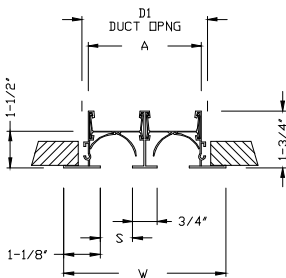
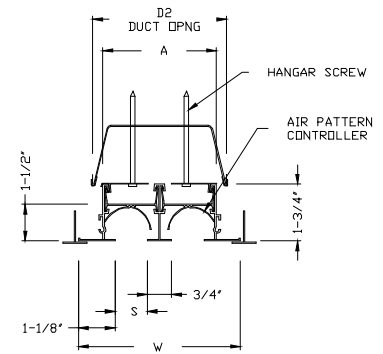
MODEL 6600 – LINEAR SLOT DIFFUSER

1. EXTRUDED ALUMINUM CONSTRUCTION
2. AVAILABLE IN 1 TO 4 SLOTS
3. MODELS
 - 6650 – ½" SLOT
 - 6675 – ¾" SLOT
 - 6610 – 1" SLOT
4. AVAILABLE IN 2', 3' 4' AND 5' LENGTHS
5. PATTERN CONTROLLERS ARE ADJUSTABLE FROM FACE
6. VOLUME OR THROW DIRECTION ABLE TO BE ADJUSTED FROM VERTICAL TO HORIZONTAL
7. OPTIONAL BP BOOT PLENUM AVAILABLE
8. OPTIONAL BPI INSULATED BOOT PLENUM AVAILABLE
9. WHITE (W) FINISH

SURFACE MOUNT (-1 MOUNTING)



T-BAR (-6 MOUNTING)



MODEL 6650 - 1/2" SLOT				
NUMBER OF AIR SLOTS				
	1	2	3	4
A	1-1/4"	2-1/2"	3-3/4"	5"
D1	1-5/8"	2-7/8"	4-1/8"	5-3/8"
D2	1-7/8"	3-1/8"	4-3/8"	5-5/8"
W	2-3/4"	4"	5-1/4"	6-1/2"

MODEL 6675 - 3/4" SLOT				
NUMBER OF AIR SLOTS				
	1	2	3	4
A	1-1/2"	3"	4-1/2"	6"
D1	1-7/8"	3-3/8"	4-7/8"	6-3/8"
D2	2-1/8"	3-5/8"	5-1/8"	6-5/8"
W	3"	4-1/2"	6"	7-1/2"

MODEL 6610 - 1" SLOT				
NUMBER OF AIR SLOTS				
	1	2	3	4
A	1-3/4"	3-1/2"	5-1/4"	7"
D1	2-1/8"	3-7/8"	5-5/8"	7-3/8"
D2	2-3/8"	4-1/8"	5-7/8"	7-5/8"
W	3-1/4"	5"	6-3/4"	8-1/2"

6610, 6650, 6675	
Length	1,2,3,4 Slot
24"	X
36"	X
48"	X
60"	X

Submittal No. 6600

Revision:

Date: 07/07/2010

Submitted by:

Date submitted: